

### Synthesized Local Oscillator

NORT, with its wide experience in design and manufacturing of high performance microwave products, offers many different types of microwave modules designed to fit your system requirements.

Basic features of the modules are the extended temperature range, rugged construction, high integration and high reliability.

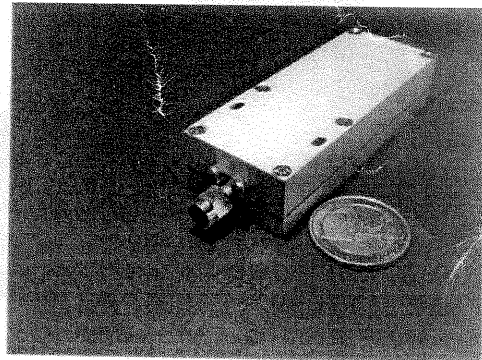
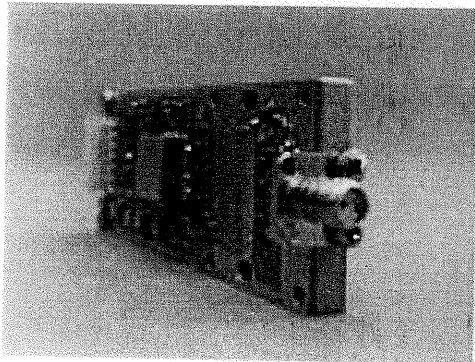
In addition to the existing available modules, NORT can provide custom development upon specification with extremely low time to market for your needs.

The SLO™ is a family of high-quality Synthesized Local Oscillators, boasting extremely low phase noise, high spectral cleanliness, and very compact in size to easily fit any type of equipment or board.

The frequency range 5–18 GHz is covered in sub-ranges with typical BW 5 to 10% of F<sub>0</sub>.

These devices are available in two versions: "stand alone" (does not require external programming) or "programmable" via an SPI bus. More custom features and other versions are available on application, like different frequency bands, narrower bandwidth, different step sizes as well as higher output power.

*Put the power of SLO™ to work for your equipment!*



SLO

Quality Microwave Solutions

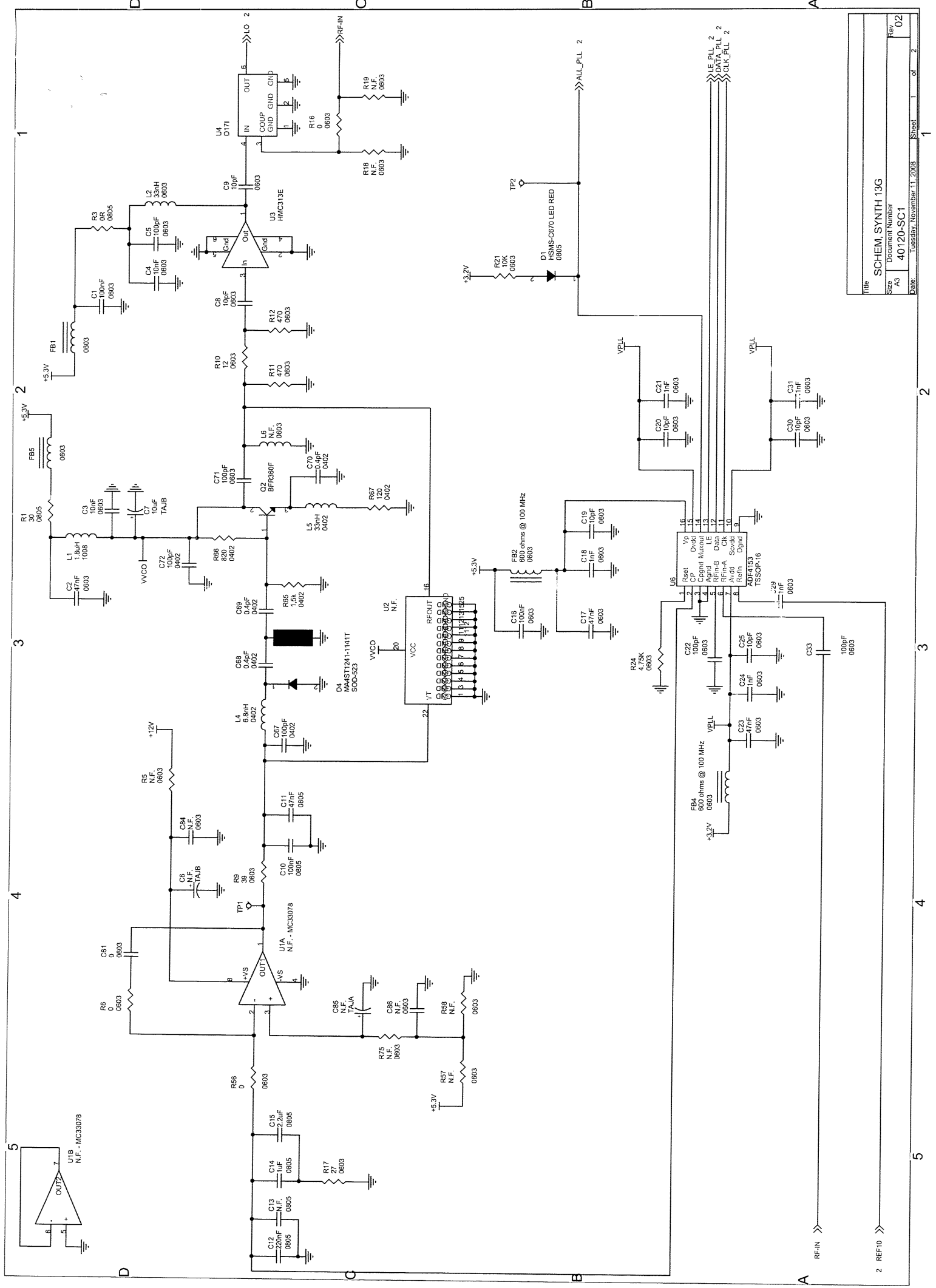
Electrical

Frequency Band	5 – 18 GHz
Output Power ( 5 to 12 GHz)	> +13 dBm
Output Power ( 13 to 18 GHz)	> +10 dBm
Output Return Loss	14 dB min.
Synthesizer Steps	250 KHz
Phase Noise	< -85 dBc @ 10 KHz
	< -110 dBc @ 100 KHz
Freq. Stability	+/- 2.5 ppm.

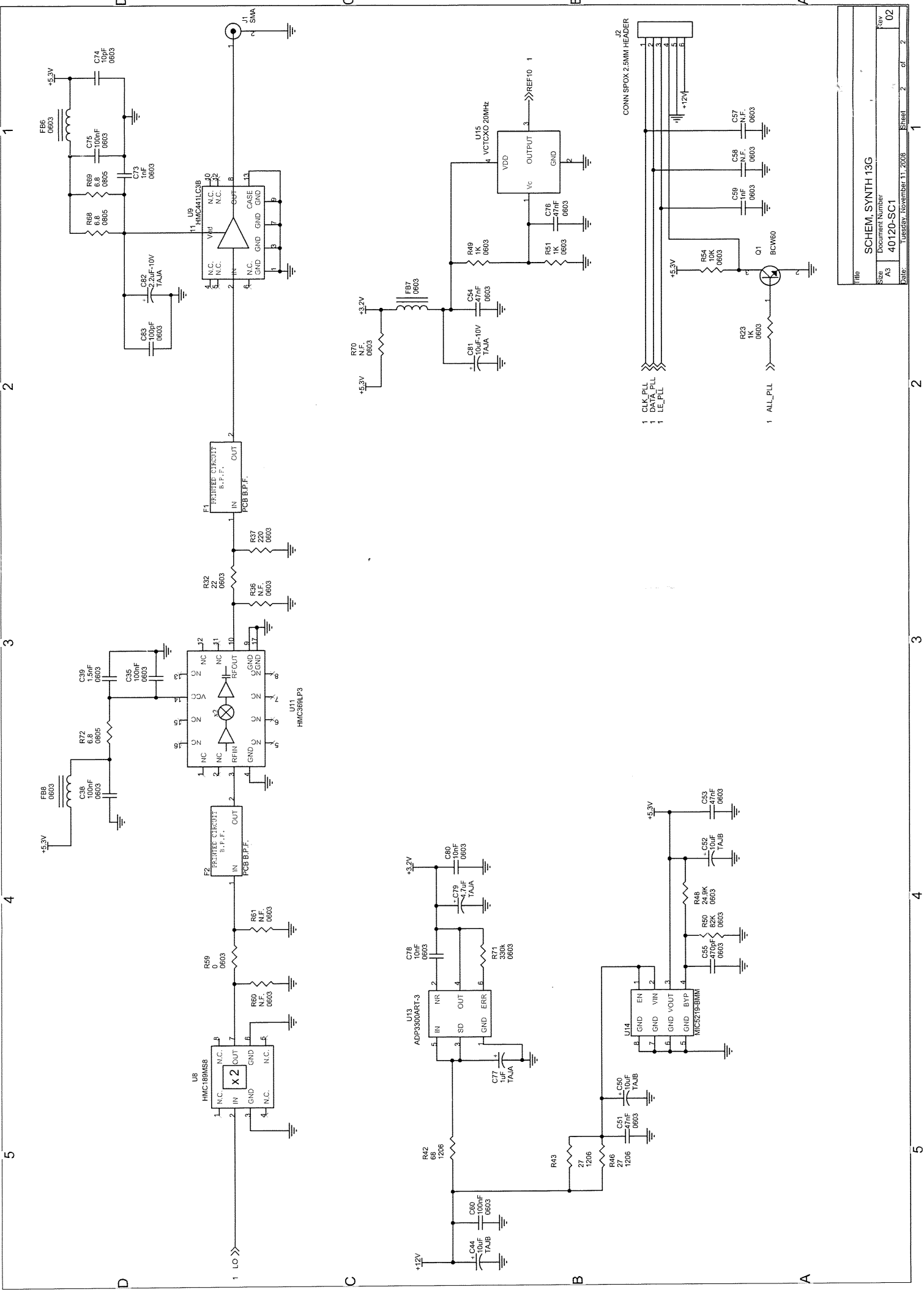
Mechanical / Environmental

Dimensions	L 85mm x W 33mm x H 16mm
Weight	92 gr.
Operating Temperature	-30° to +70°C
Power Input	+12 V
Input / Output Connectors	SMA Female ( SMA male optional)
Power, Alarm, Control	6 Pin SPOX male Connector
Programming	SPI Bus

Data Sheet



File	SCHEM_SYNTH 13G
Size	Document Number
A3	40120-SC1
Date	Tuesday, November 11, 2008
Sheet	1 of 2
Rev	02



File	SCHEM_SYNTH13G	
Sheet	2	of 2
Date:	Tuesday, November 11, 2008	
Size	A3	
Document Number	40120-SC1	
Rev	02	